

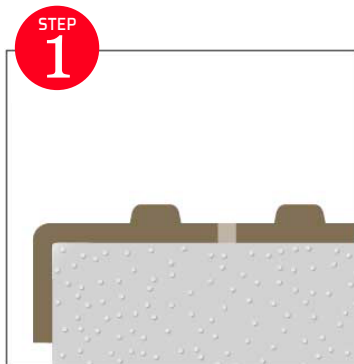
You will need these tools to complete the installation:

- Measuring tape
- 3/16" masonry drill bit
- 3/16" drive pin anchors
- Hammer
- Power or hammer drill*
- Clear liquid silicone (OPTIONAL)

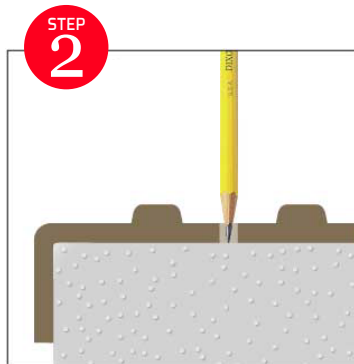


*We recommend using a hammer drill but a power drill will do the job. Handi-Treads recommends using drive pin anchors to fasten your nosings to your stairs.

There are 5 steps included in the proper installation of Handi-Treads Nosings on concrete or brick. The process is the same if you are installing one nosing or one hundred. If you find that you have any questions, don't hesitate to call us at (847) 680-7700.



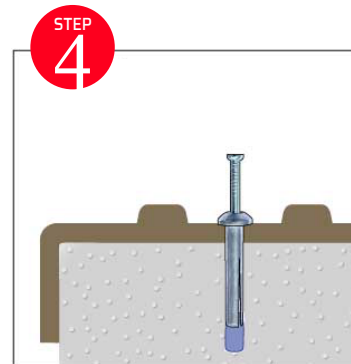
Align each nosings against the front edge of each tread of the stairs. Position side-to-side in the center of the width of your stairs or the most high-traffic area of your stairs.



Using a pencil or marker and the nosing as a template, place a dot in each of the pre-drilled holes for the drive pin anchors to mark the placement of the drive pins on the concrete surface. Note that the pre-drilled holes are not raised, DO NOT use the raised traction bumps for your pin placement.



Remove the nosing from the stair. Using a 3/16" masonry drill bit and your hammer/power drill at each marked spot, drill a hole into the concrete deep enough to accommodate the length of the concrete drive pin you are using (attach tape to bit to ensure the right depth of hole). Make sure that you are drilling perpendicular to the surface. Use caution when drilling the holes.



Place the nosing back in position, making sure that each pinhole is above each drilled hole, then place a pin anchor in each of the pinholes. The excess silicone may flow out of the hole leaving you with a watertight seal that prevents any water from collecting within the pinholes, which might cause the concrete to fracture if it freezes and expands.



Starting in the center of the nosing, work your way to the outside, hammering each pin anchor to tightly hold the nosing against the concrete. Installation is complete when all of the anchor pins have been hammered into position and the nosing is fastened in place.

handitreads.com
is full of useful tips
to install your
nosings